

Sales Information

Pricing GT86 CS-R3 Upgrade 2017

TOYOTA MOTORSPORT GmbH

Department : Customer Motorsport
Phone : +49 (2234) 1823-0
Fax : +49 (2234) 1823-28
E-mail : TMGCS@toyota-motorsport.com

Upgrade parts list 2016 => 2017

Dear customer,

The following document guides you through the entire parts list of the upgrade package to convert

GT86 CS-R3 **2016** => GT86 CS-R3 **2017**.

Please be aware of update parts which necessarily require further components to be updated to guarantee its full functionality.

All parts will be soon available online for ordering via the official spare parts system.

In case of engine upgrade or gearbox upgrade, please contact TMG's customer support by sending a message to the indicated email address on the last page.

For any help on ordering or parts selection, please contact TMG's customer motorsport support members.

Engine & Components

Engine conversion	DYXAP290018-**	€ 9706,02
<i>Upgrade includes revision service.</i>		

For the full engine conversion, the following items are required additionally:

- Airbox 2017 upgrade
- Oil cooler 2017 upgrade
- Radiator Ducts & brackets 2017 upgrade
- Exhaust System 2017 upgrade



ECU mapping 2017 included.

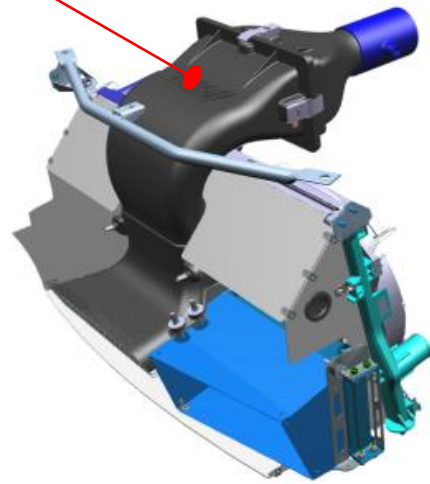
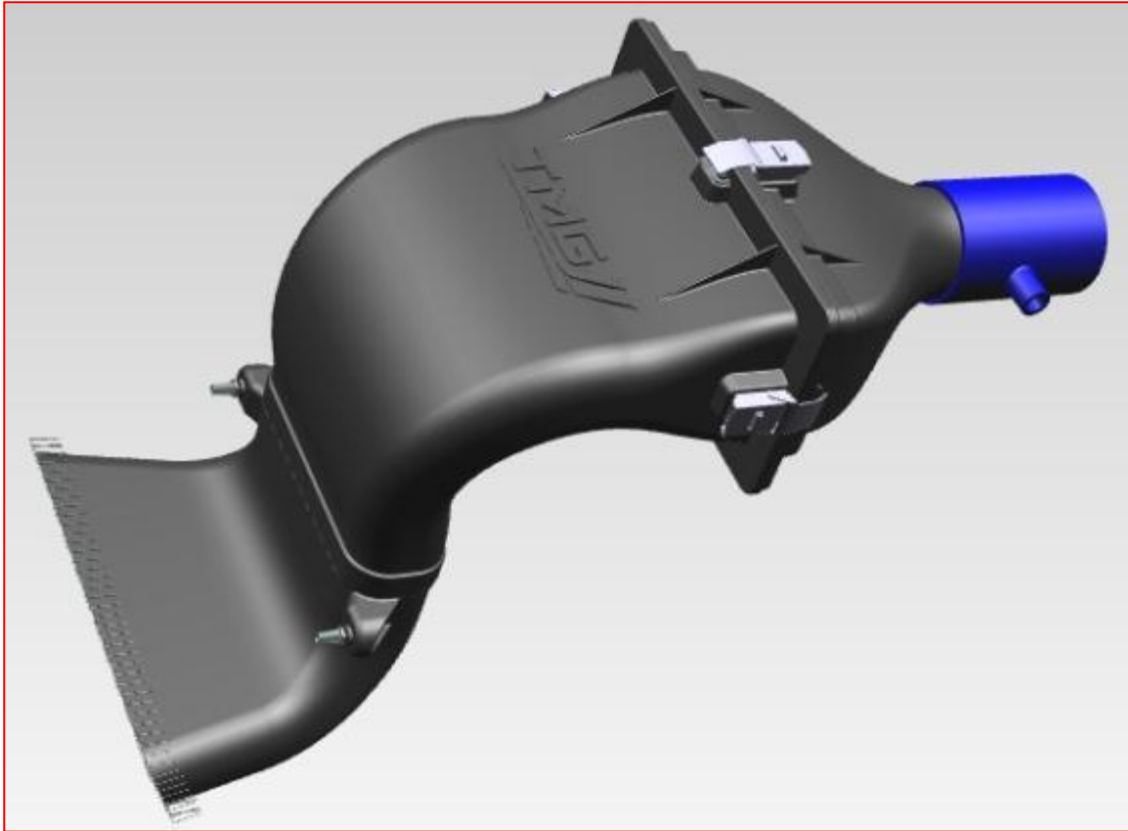
All items concerning the engine upgrade 2017 are homologated in VR .

Note:

Please contact TMG for further information how to upgrade from 2016 to 2017 specification.

Airbox 2017 Upgrade

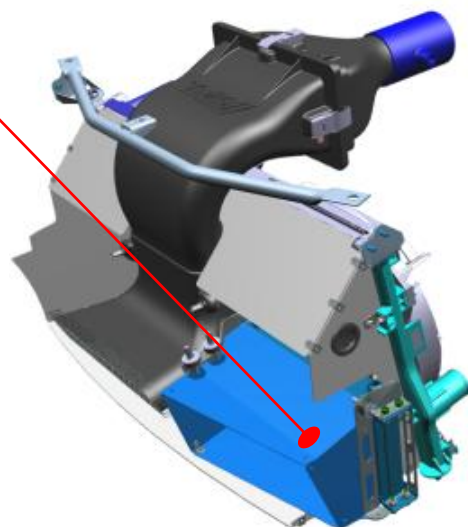
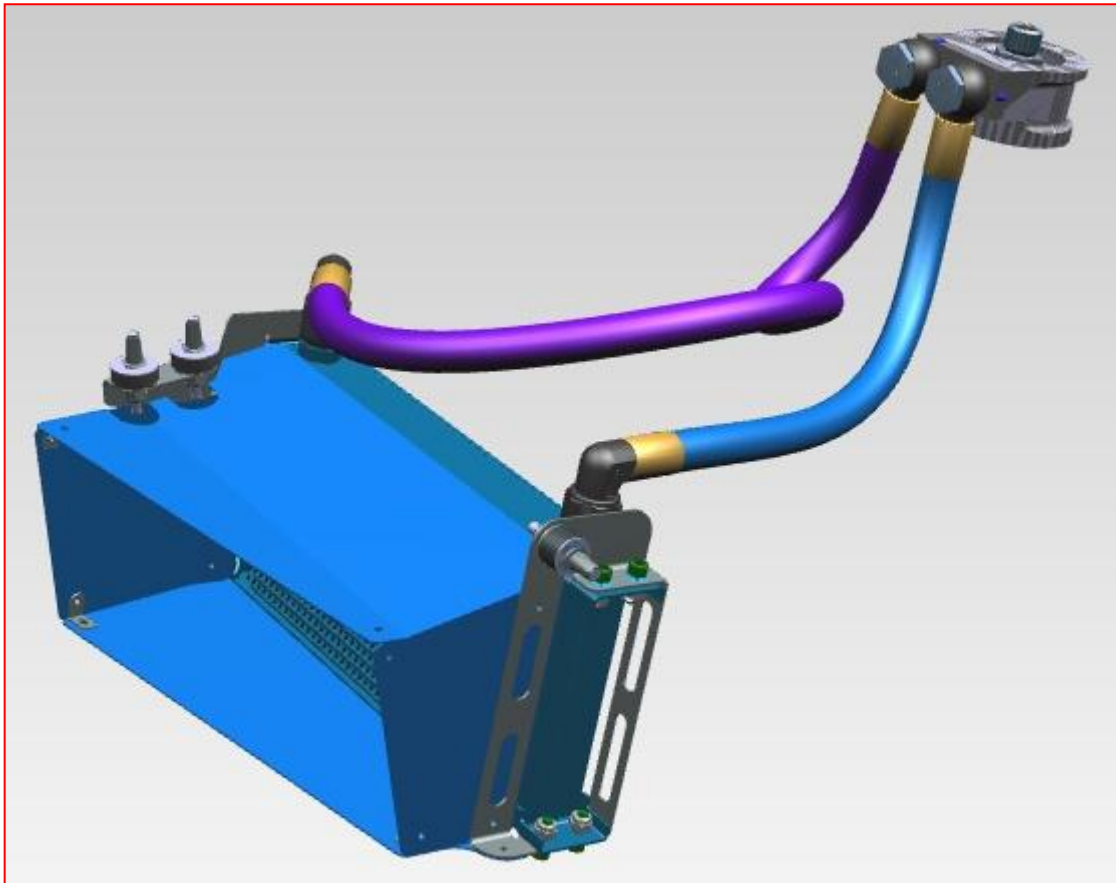
Airbox,Engine,Assy	DYXAP137025-**	€ 1.011,60
Air Temp sensor	DYX-Z321078-**-	€ 21,60
Loom, Air Temp sensor	DYXAP301002-**	€ 118,80



Oil cooler 2017 upgrade

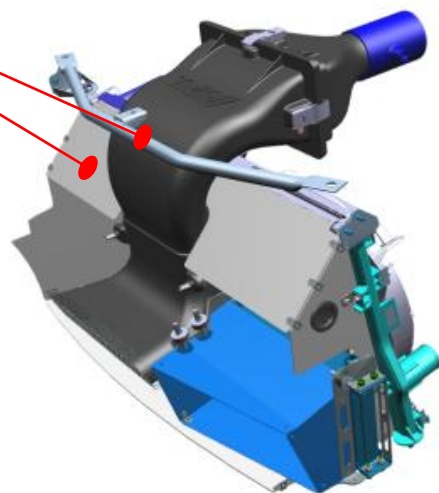
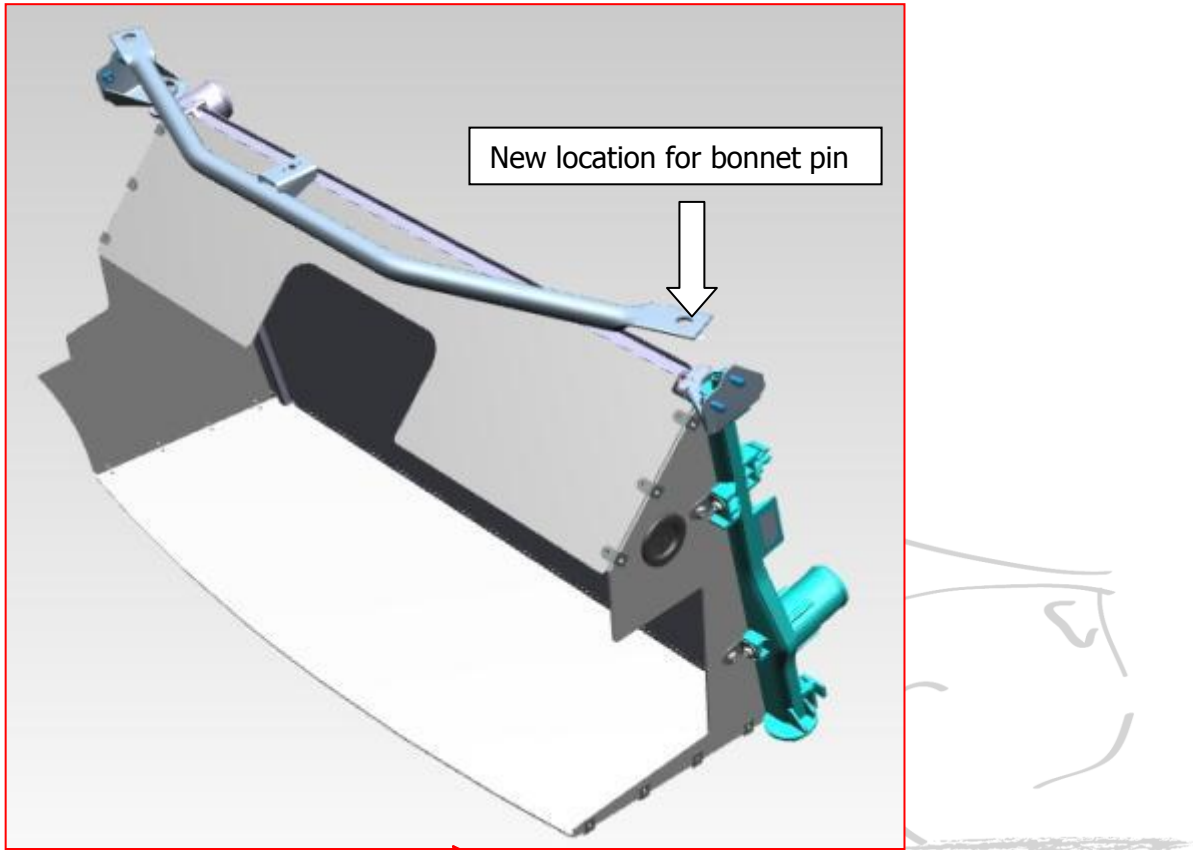
Cooler,Oil, Engine,Assy	DYXAP181002-**	€ 249,91
KIT, FIXATION, COOLER, OIL, ENGINE	DYXAP181003-**	€ 29,21
LINE, COOLER, OIL, ENGINE, OUT	DYXAP180016-**	€ 128

- All ducts are part of the Cooler,Oil, Engine,Assy, DYXAP181002-**
- Oil line DYXAJ180001-** can be carried over from 2016 model



Radiator Ducts & Brackets 2017 upgrade

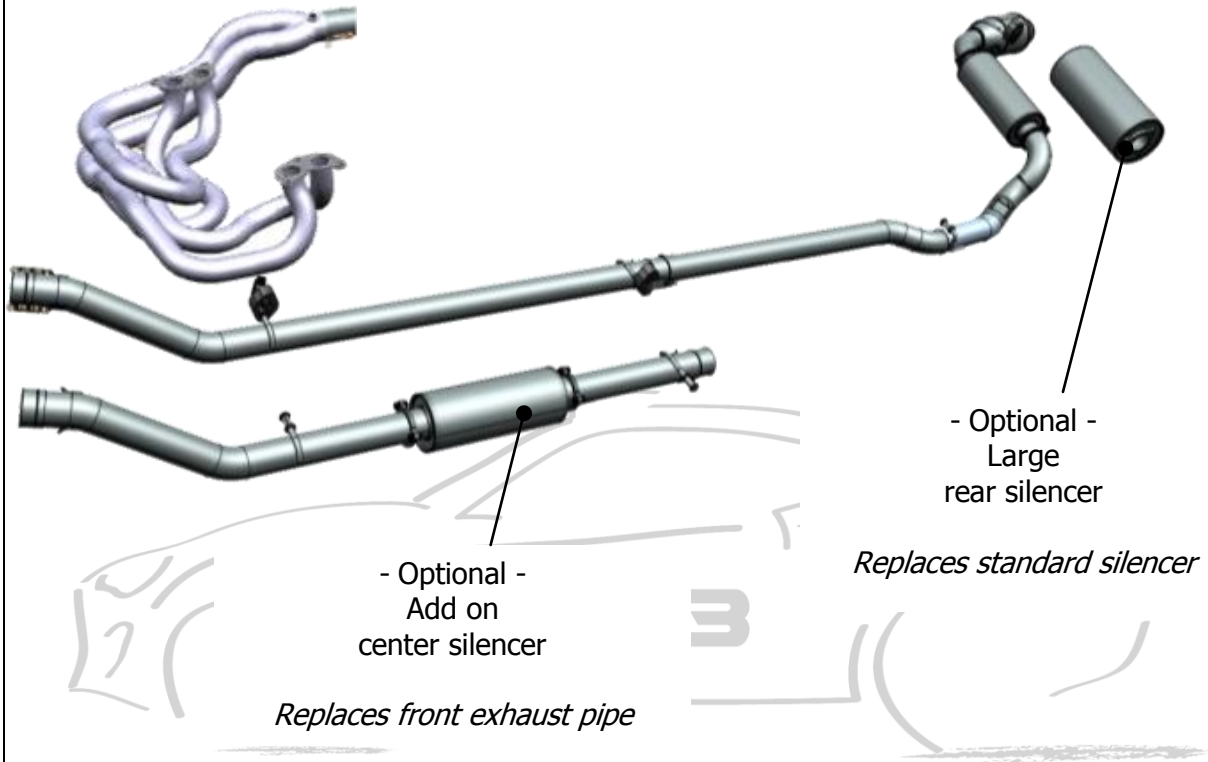
DUCT,WATER,RADIATOR,ASSY	DYXAP178001-**	€ 158,17
KIT,BRACKET,TOP,W_COOLER	DYXAP103019-**	€ 57,58
SUPPORT,RADIATOR,UPPER,WELDED,ASSY	DYXAP103016-**	€ 171
HOSE,RADIATOR,NO.1,MODIFIED	DYXAP175001-**	€ 25,20
HOSE,RADIATOR,OUTLET,MODIFIED	DYXAP175002-**	€ 28,80



Exhaust System 2017 upgrade

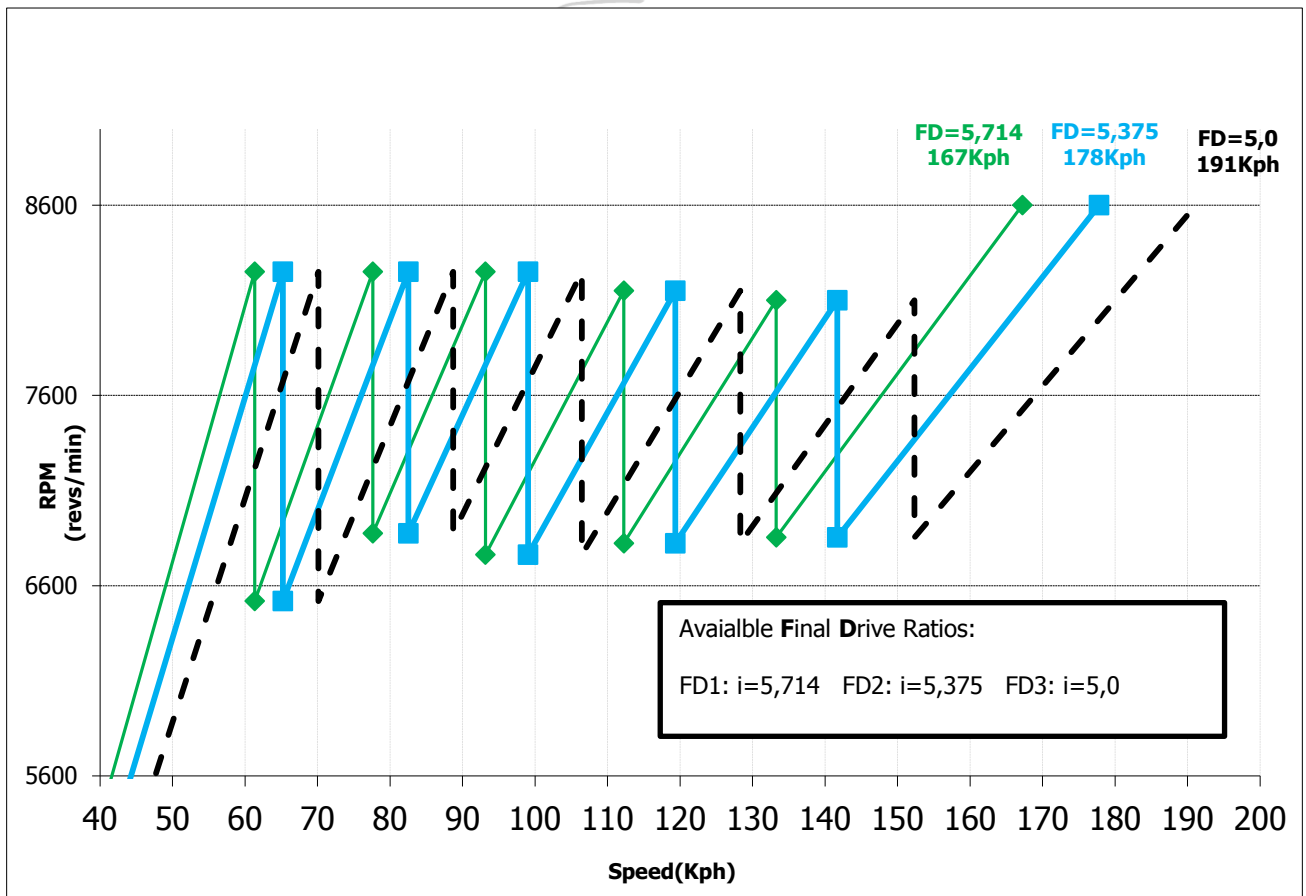
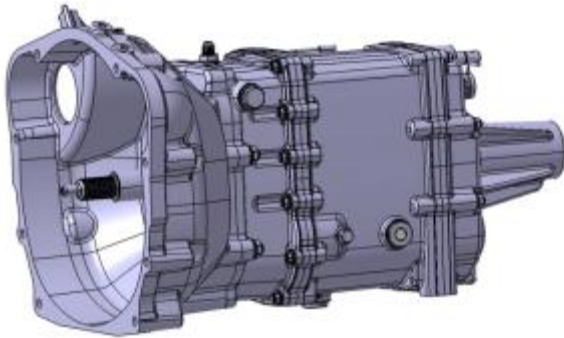
		Qty.	
Exhaust_SYSTEM_GT-86-R3 –complete-	DYXAP195022-**	1	€ 3.043,17
BOLT,M10X1.25,L037	DYXAP292001-**	6	€ 7,20
Silencer D=149,8 (large version –optional-)	DYXAP270038-**	1	€ 398
FRONT-SECTION,EXHAUST,WITH_SILENCER	DYXAV270005-**	1	€ 651

- New exhaust manifold 4-2-1 included
- Gaskets and mounting material included



Transmission & Drivetrain

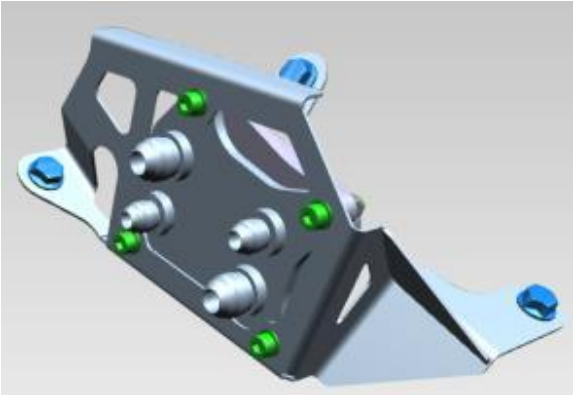
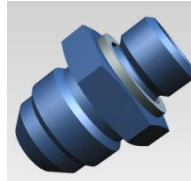

Gearbox conversion –Full conversion, incl. service-	Contact TMG	TBC
Gear set 2017 – only parts set -	Contact TMG	TBC
Differential conversion –Full conversion, incl. service -	Contact TMG	TBC
Final Drive, CWP set, 5,714 – only parts set -	DYXAP151003-**	€ 1648,66
Final Drive, CWP set, 5,375 – only parts set -	DYXAP151002-**	€ 1648,66
Final Drive, CWP set, 5,0 – only parts set -	DYXAP151001-**	€ 1648,66



Homologated in VR

Gearbox cooling system

HEAT-EXCHANGER,GEARBOX,ASSY – full kit -	DYXAP182001-02-**	€ 718,35
BRACKET,HEAT-EXHANGER,GBX,WELDED,ASSY	DYXAP182002-01-**	€ 70,20
HEAT_EXCHANGER,OIL_TO_WATER,L=110MM	DYX00-70787	€ 79
PLATE,GBX,HEAT-EXCHANGER,WELDED,ASSY	DYXAP182008-**	€ 124,20
KIT,FIX,HEAT-EXCHANGER,GBX	DYXAP182009-**	€ 6,38
KIT,LINES,HEAT-EXCHANGER,GBX	DYXAP182005-**	€ 438,56

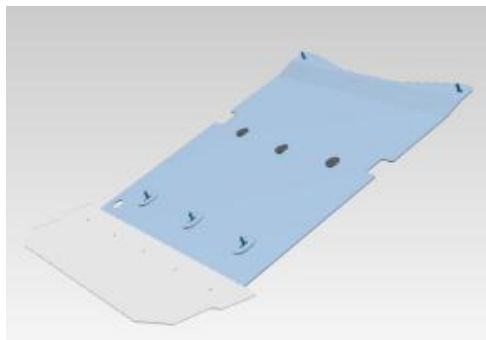




Please note:
Additional connectors required to install 2017 heat exchanger.

Water,Inlet,Heat-Exchanger, GBX	DYXAP268007-**
KIT,FIX,INLET,WATER,HEAT-EXCHANGER	DYXAP268010-01-**

Sumpguard light weight

	Qty		€/pcs
SUMPGUARD,4MM,ASSY– Full kit -		DYXAP124037-**	€ 453,13
SUMPGUARD,4MM,WELDED,ASSY	1	DYXAP124038-**	€ 342
KIT,FIXATION,SUMPGUARD,4MM	1	DYXAP124040-**	€ 3,43
PROTECTION,FR,SUMPGUARD,KDPP	1	DYXAP124035-**	€ 37,50
BUSH,DAMPER,5MM,SUMPGUARD	3	DYXAP124043-**	€ 12,60
DUAL_LOCK,L=40MM	0,3m	DYX50-10792	€ 5,40



Front brake disc

Tarmac

-Corrected-

	Qty		€/pcs
DISC,BRAKE,ALCON,330X28,VENTILATED,LH	1	DYXAP170037-**	€ 199
DISC,BRAKE,ALCON,330X28,VENTILATED,RH	1	DYXAP170038-**	€ 199

Price per disc



Homologated in VR

Disc bell, Calliper and fixations to be carried over from 2016 model.

Rear brake system – ventilated disc -

Tarmac

	Qty		€/pcs
CALIPER,CCR280,TRAILING,LH	1	DYX00-12037	€ 199
CALIPER,CCR280,TRAILING,RH	1	DYX00-12038	€ 199
DISC_BELL,VENT,TARMAC,GT86,RR	2	DYXAP171022-**	€ 169
DISC,BRAKE,295X23,VENTILATED,LH	1	DYXAP171031-**	€ 149
DISC,BRAKE,295X23,VENTILATED,RH	1	DYXAP171032-**	€ 149
KIT,BOBBINS,405SS,6.15MM	2	DYX00-16090	€ 92,51

Please note, Bobbins are different from 2016 version

Gravel

	Qty		€/pcs
CALIPER,CCR280,TRAILING,LH	1	DYX00-12037	€ 199
CALIPER,CCR280,TRAILING,RH	1	DYX00-12038	€ 199
DISC_BELL,VENT,GRAVEL,GT86,RR	2	DYXAP171023-**	€ 169
DISC,BRAKE,280X23,VENTILATED,LH	1	DYXAP171033-**	€ 149
DISC,BRAKE,280X23,VENTILATED,RH	1	DYXAP171034-**	€ 149
KIT,BOBBINS,405SS,6.15MM	2	DYX00-16090	€ 92,51

All items homologated in VR.

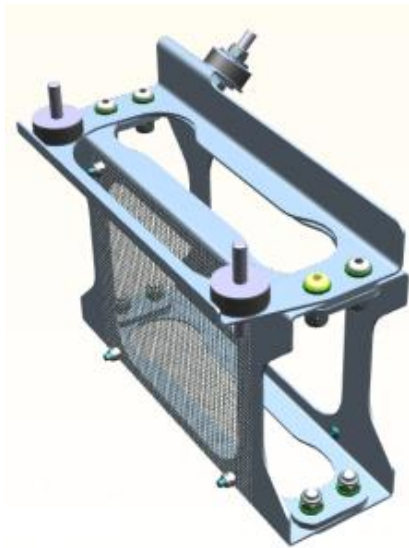


Homologated in VR

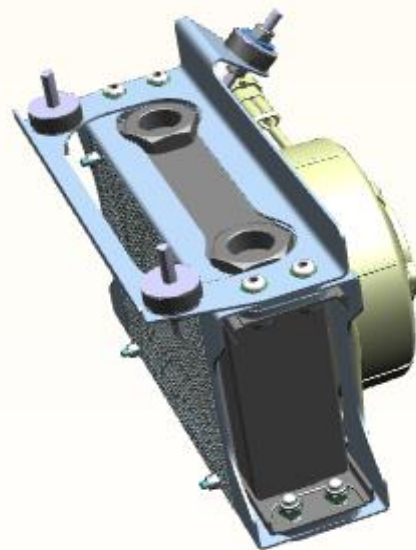
Differential cooling System

	Qty		€/pcs
BRKT,LOWER,COOLER,DIFF,GT86	1	DYXAP156051-**	€ 34
BRKT,COOLER,DIFF,GT86	2	DYXAP156052-**	€ 38
SPACER,COOLER,DIFF	4	DYXAP156053-**	€ 8
MESH,130X150MM,DIFF,COOLER	1	DYXAP156054-**	€ 8
KIT,FIX,COOLER,DIFF	1	DYXAP156055-**	€ 31,63

Required update components



Final assembly



Please note:

- Oil lines
- Oil pump
- Oil cooler
- electronic looms

can be carried over from previous (2016) version.

Homologated in VR

Drive Shafts

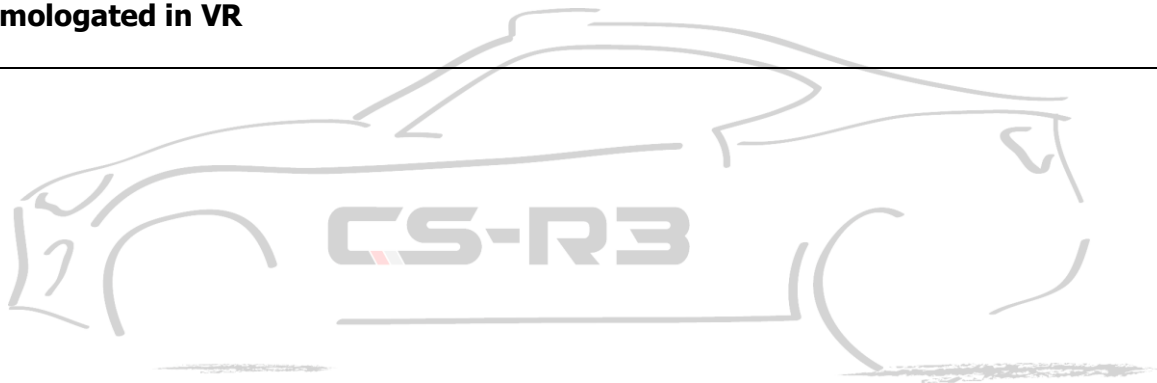
	Qty		€/pcs
DRIVESHAFT,REINFORCED,RR,ASSY	2	DYXAP157016-**	€ 600
HUB,COMPLETE	2	DYXAP140168-**	€ 175

All items homologated in VR.



- **Driveshaft LH & RH are identical**
- **New wheel bearing hubs are required to install the new drive shafts**

Homologated in VR

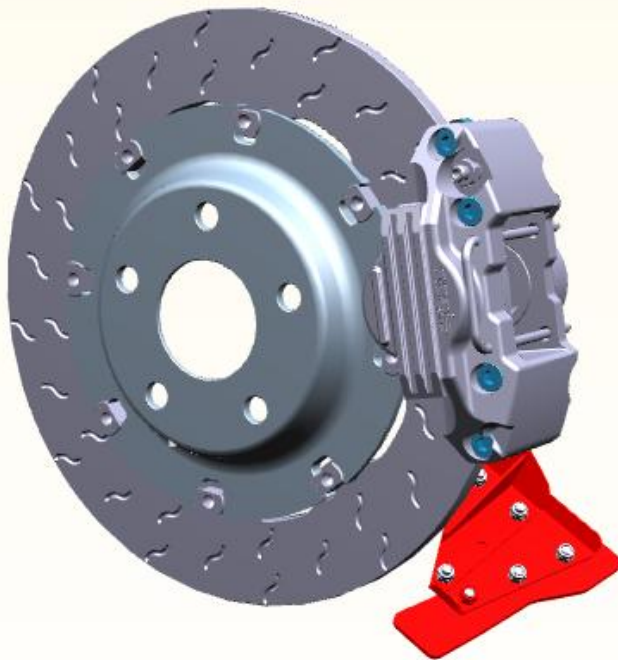


Options

Mudscraper Rear Tarmac 17"

	Qty		€/pcs
MUDSCRAPPER,TARMAC,ASSY,RR,LH -Full Kit- LH		DYXAP142143-01-**	€ 56,96
NUT,M5,DIN985,NYLOCK	6	DYX00-20364	€ 0,04
WASHER,5.3X10X1,DIN125-A,A4	12	DYX00-41111	€ 0,02
BOLT,M5X12,DIN912-A2	6	DYX00-63508	€ 0,41
BRACKET,MUDSCRAPPER,RR,WELDED,ASSY,V 2,LH	1	DYXAP142159-**	€ 32,40
SCRAPPER,KDPP,TARMAC,RR	1	DYXAP142145-**	€ 7,20
BRKT,EXTENSION,MUDSCRAPPER,TARMAC,RR ,LH	1	DYXAP142147-**	€ 14,40
MUDSCRAPPER,TARMAC,ASSY,RR,RH- Full Kit- RH		DYXAP142144-** -	€ 56,96
NUT,M5,DIN985,NYLOCK	6	DYX00-20364	€ 0,04
WASHER,5.3X10X1,DIN125-A,A4	12	DYX00-41111	€ 0,02
BOLT,M5X12,DIN912-A2	6	DYX00-63508	€ 0,41
BRACKET,MUDSCRAPPER,RR,WELDED,ASSY,V 2,RH	1	DYXAP142160-**	€ 32,40
BRACKET,MUDSCRAPPER,V2,RR,RH	1	DYXAP142145-**	€ 7,20
STIFFENER,BRACKET,MUDSCRAPPER,RR	1	DYXAP142148-**	€ 14,40

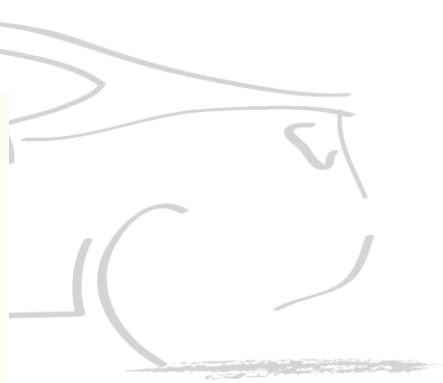
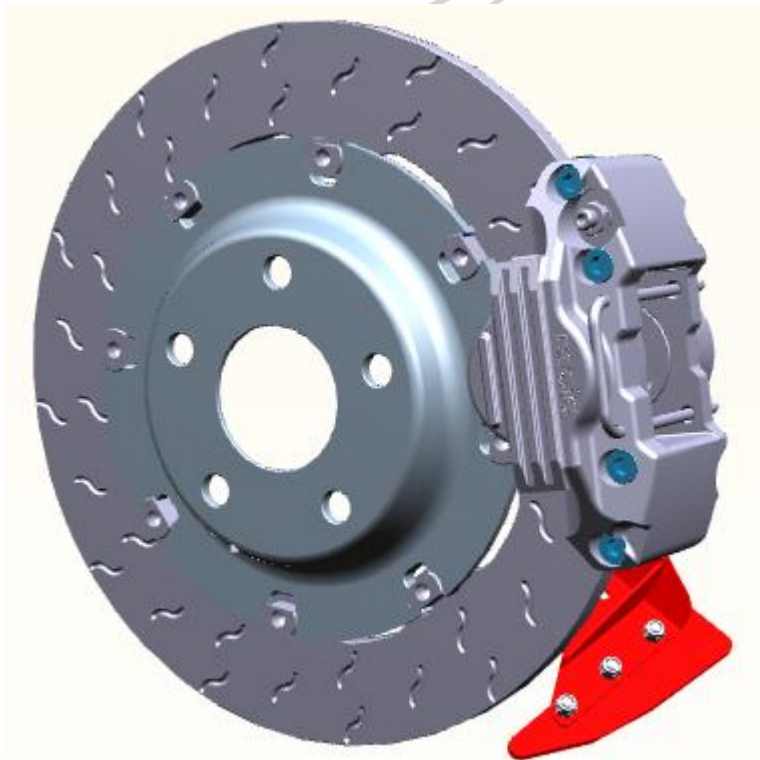
Mudscraper Tarmac



Mudscraper Rear Gravel 15"

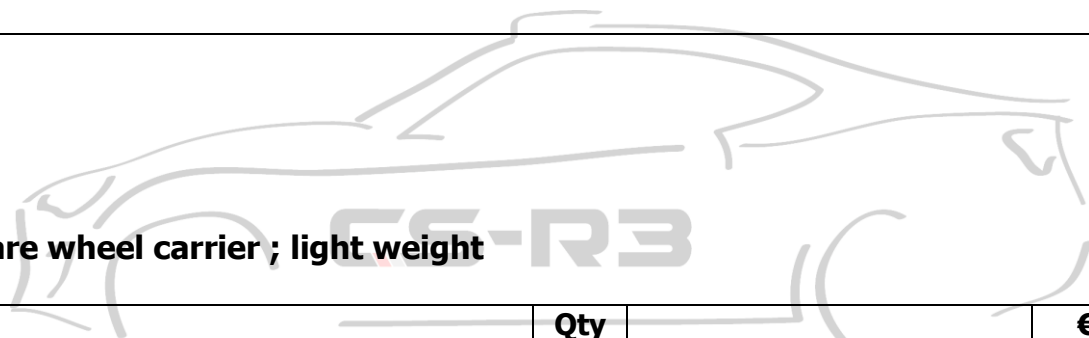
	Qty		€/pcs
MUDSCRAPPER,GRAVEL,ASSY,RR,LH – Full Kit LH-		DYXAP142137-01-**	€ 39,27
NUT,M5,DIN985,NYLOCK	3	DYX00-20364	€ 0,04
WASHER,5.3X10X1,DIN125-A,A4	6	DYX00-41111	€ 0,02
BOLT,M5X12,DIN912-A2	3	DYX00-63508	€ 0,41
BRACKET,MUDSCRAPPER,RR,WELDED,ASSY, V2,LH	1	DYXAP142159-**	€ 32,40
SCRAPPER,KDPP,GRAVEL,RR	1	DYXAP142142-**	€ 5,40
MUDSCRAPPER,GRAVEL,ASSY,RR,RH – Full kit RH-		DYXAP142137-**	€ 39,27
NUT,M5,DIN985,NYLOCK	3	DYX00-20364	€ 0,04
WASHER,5.3X10X1,DIN125-A,A4	6	DYX00-41111	€ 0,02
BOLT,M5X12,DIN912-A2	3	DYX00-63508	€ 0,41
BRACKET,MUDSCRAPPER,RR,WELDED,ASSY, V2,RH	1	DYXAP142160-**	€ 32,40
SCRAPPER,KDPP,GRAVEL,RR	1	DYXAP142142-**	€ 5,40

Mudscraper Gravel



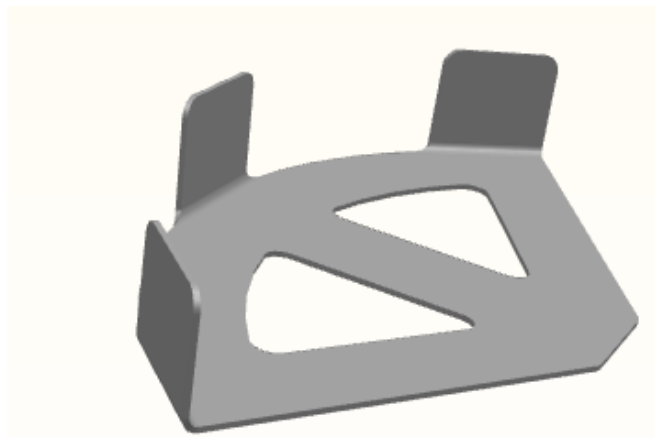
Fuel Cell cover, light weight

	Qty		€/pcs
OVER,CELL,FUEL,LIGHTWEIGHT	1	DYXAP186023-**	€ 998



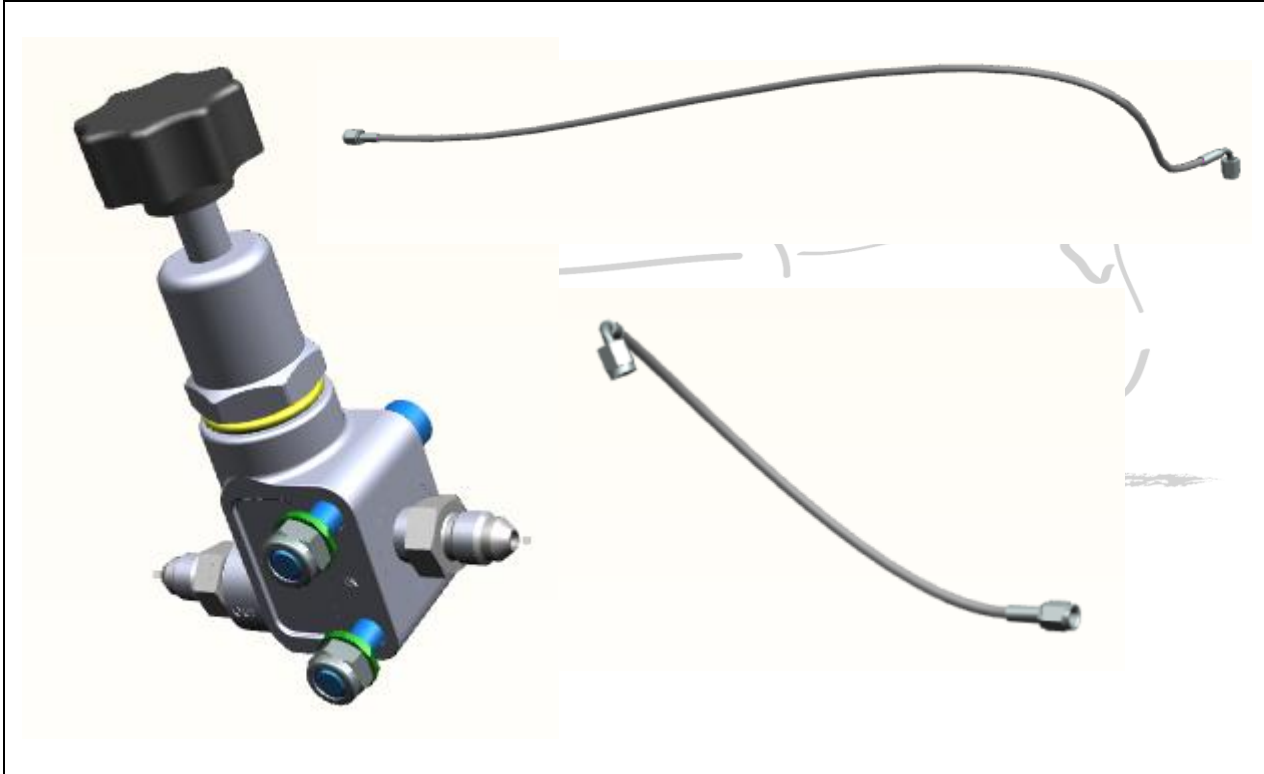
Spare wheel carrier ; light weight

	Qty		€/pcs
SUPPORT,SPARE_WHEEL,V2; Lightweight	1	DYXAP103031-**	€ 159



Rear Brake Limiter

	Qty		€/pcs
OPTION,LIMITER,BRAKE,RR, -Full Kit-	1	DYXAP171037-**	€ 550,30
LINE-BRAKE,RR,BRAIDED,M- CYL_HANDBRAKE	1	DYXAP171017-**	€ 162,35
LINE,D3,MC_PEDALBOX- VALVE_PROPORTIONING	1	DYXAP171035-**	€ 146,07
LINE,D3,VALVE_PROP-HANDBRAKE_MC	1	DYXAP171036-**	€ 136,89
VALVE,PROPORTIONING,SCREW_TYPE	1	DYX00-39370	€ 80,91
ADAPTER,D3-1-8-27NPT,M-M,SS	2	DYX00-68060	€ 11,34
BOLT,M6X40,DIN912-12.9	2	DYX00-03101	€ 0,07
NUT,M6,DIN985	2	DYX00-20327	€ 0,30
WASHER,6.4X12X1.6,DIN125-A2	2	DYX00-41011	€ 0,06
CLAMP,TY-RAP,4.8MM,TC104	2	DYX00-10108	€ 0,22
RIVET,3.2X7.5,AL,COUNTERSUNK	2	DYX00-30071	€ 0,05



Rear Stabi Bar 16mm

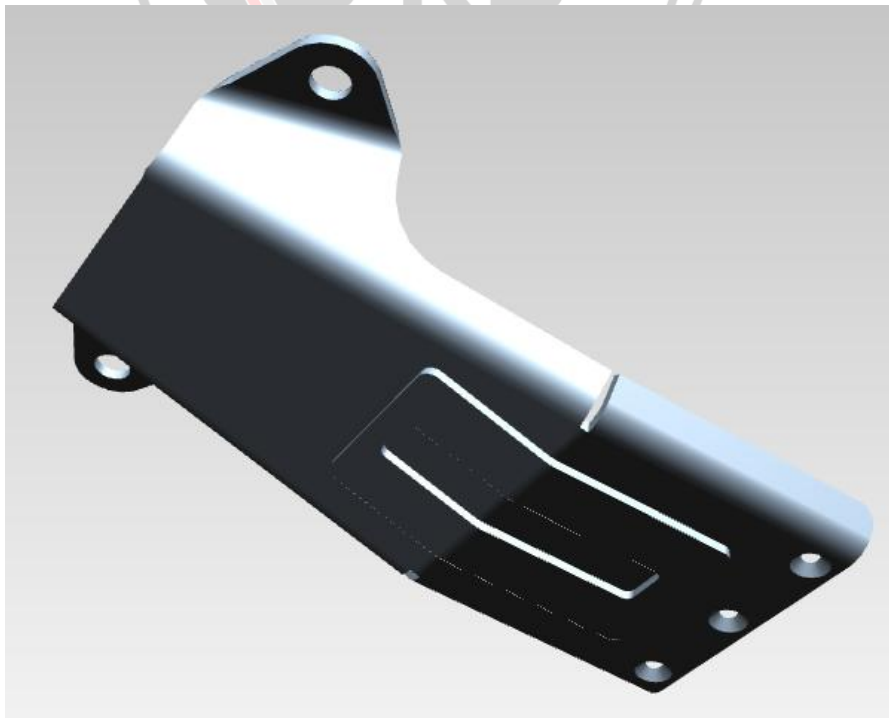
	Qty		€/pcs
BUSH,BEARING,D=16MM,STABI,RR	2	DYXAP142171-**	€ 9,90
BUSH,BEARING,D=16MM_2,STABI,RR	2	DYXAP142172-**	€ 9,90
STABI,DIA_16MM,LEVER_WELDED,RR,ASSY	1	DYXAP142168-**	€ 204



Homologated in VR

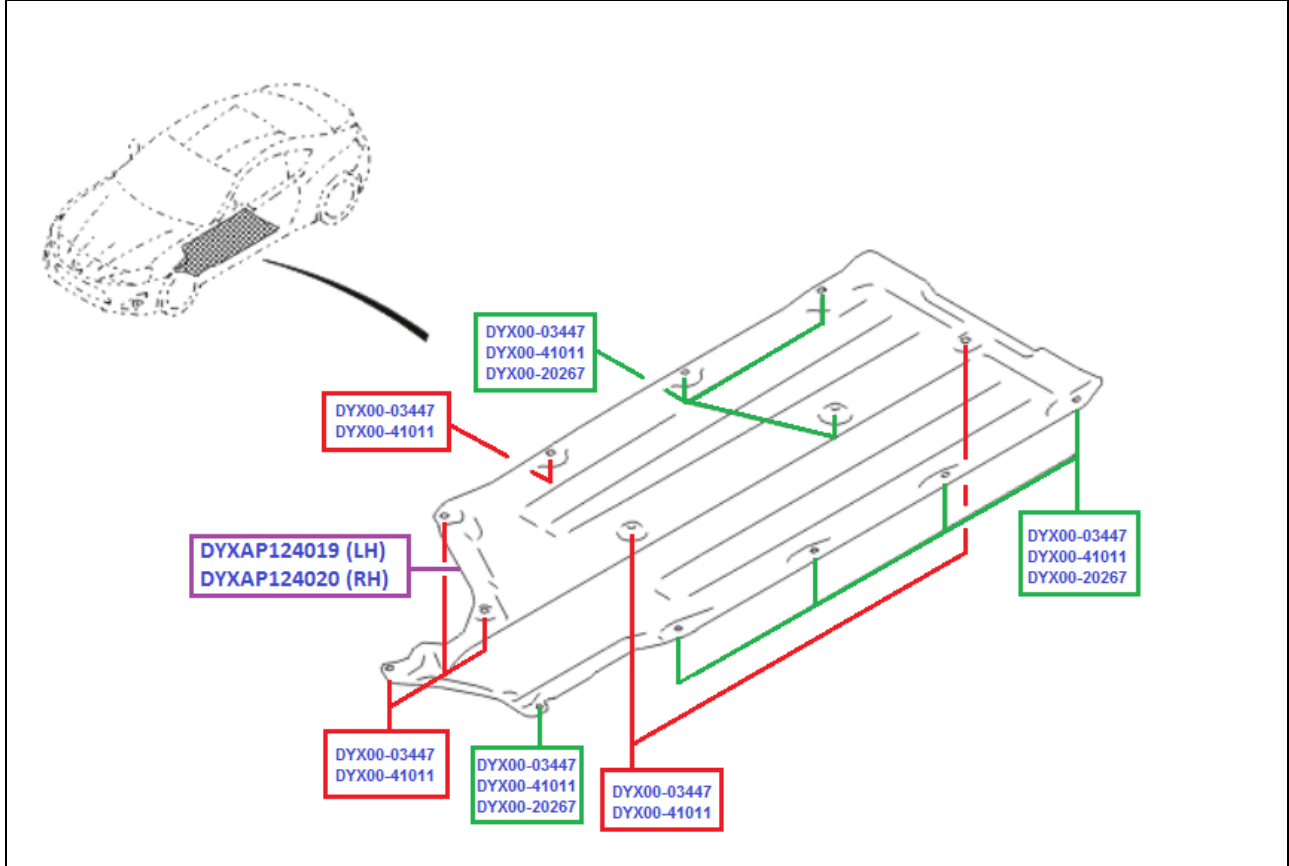
Diff guard – Heavy Duty

	Qty		€/pcs
GUARD,DIFF,HEAVY-DUTY	1	DYXAP156061-**	€ 126



Floor pan protection – Gravel Kit -

	Qty		€/pcs
PROTECTION,FLOOR,PAN,V2,LH	1	DYXAP124019-**	€ 343,50
PROTECTION,FLOOR,PAN,V2,RH	1	DYXAP124020-**	€ 343,50
BOLT,M6X16,EN-ISO-4017-12.9	28	DYX00-03447	€ 0,70
WASHER,6.4X12X1.6,DIN125-A2	28	DYX00-41011	€ 0,06
NUT,M6,RIVET,OPEN,RIVKLE-PLUS,STEEL	16	DYX00-20267	€ 0,40



Coming soon

➡ **Traction control system**

➡ **Launch control system**



Contacts

Toyota Motorsport GmbH

Toyota Allee 7

50858 Cologne

Germany

www.RacingByTmg.com

Technical Support

Fredy Nowak

Phone: +49 2234 1823 5527

Tech.Support@toyota-motorsport.com

Commercial Support

Adele Isabel Glöckner

Phone: +49 2234 1823 2215

TMGCS@toyota-motorsport.com

Parts Ordering

Technical Database

Username & password required

